



Cutter Stand

Inspired Design – Precision Engineering

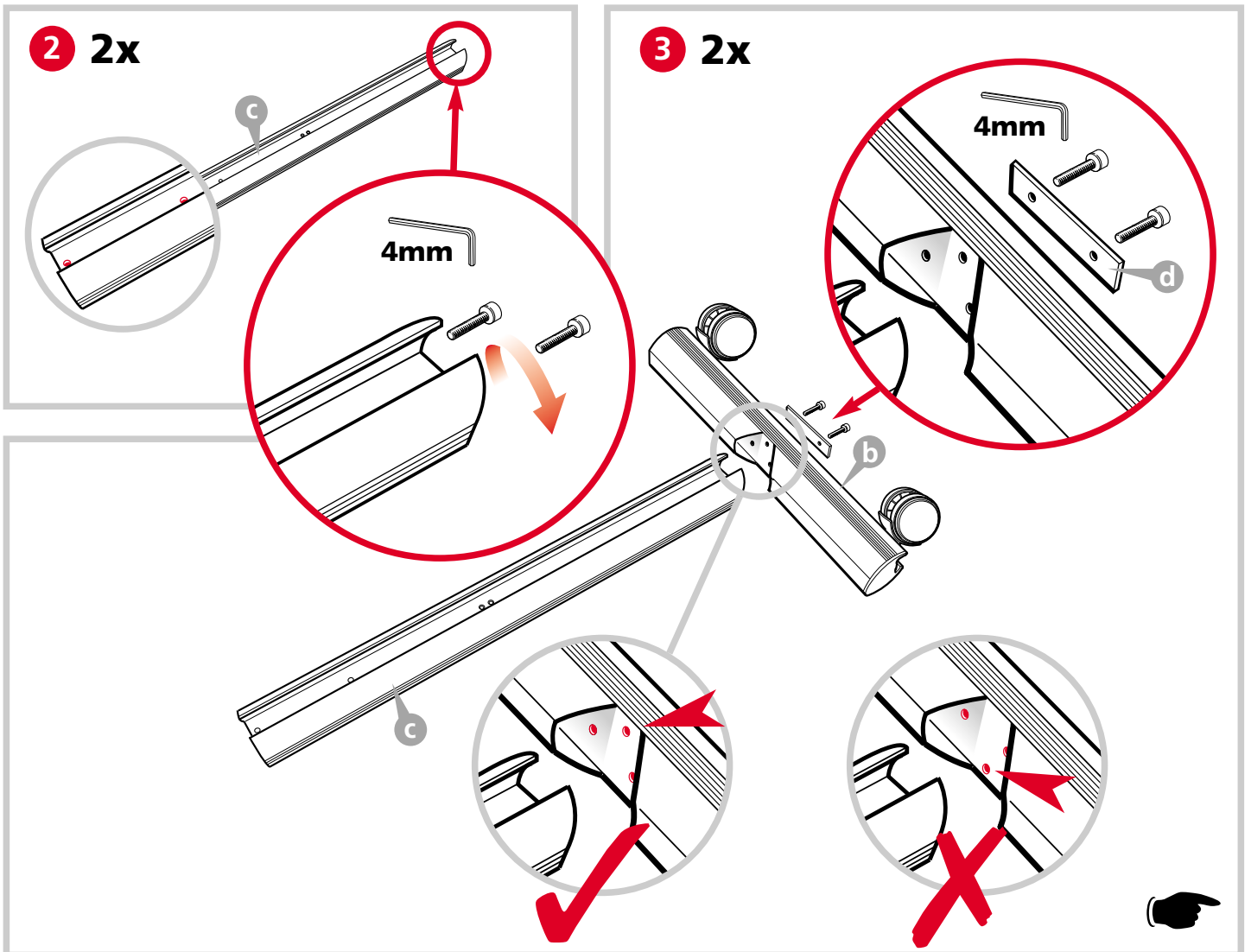
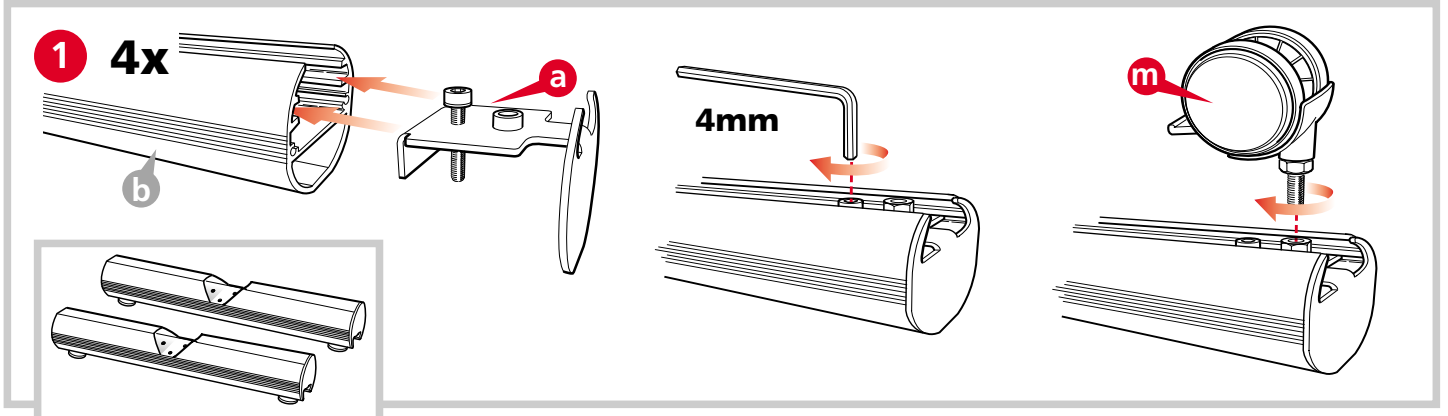
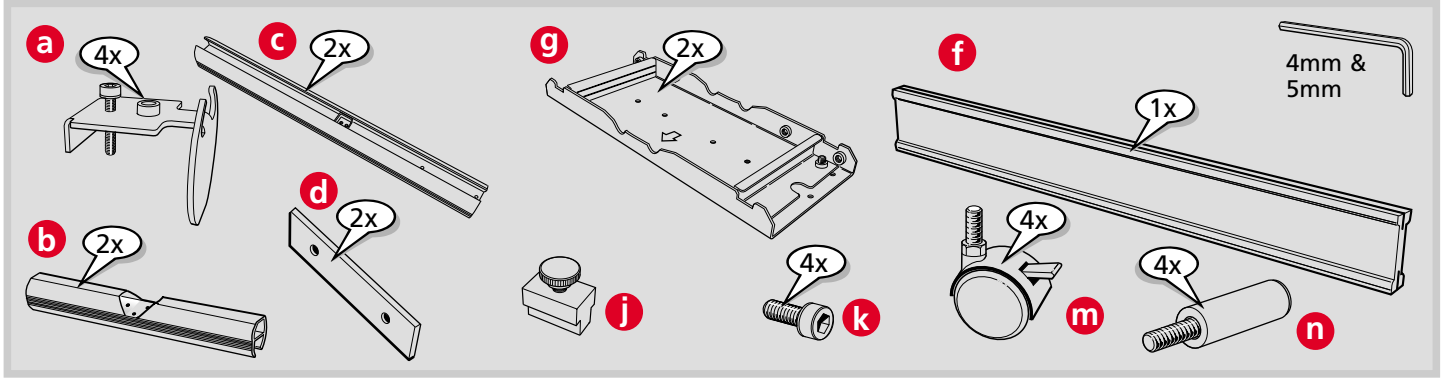
ASSEMBLY INSTRUCTIONS

Thank you for choosing the Keencut Cutter Stand. Every effort has been made to bring you a precision engineered product with the promise of many years of valuable service.



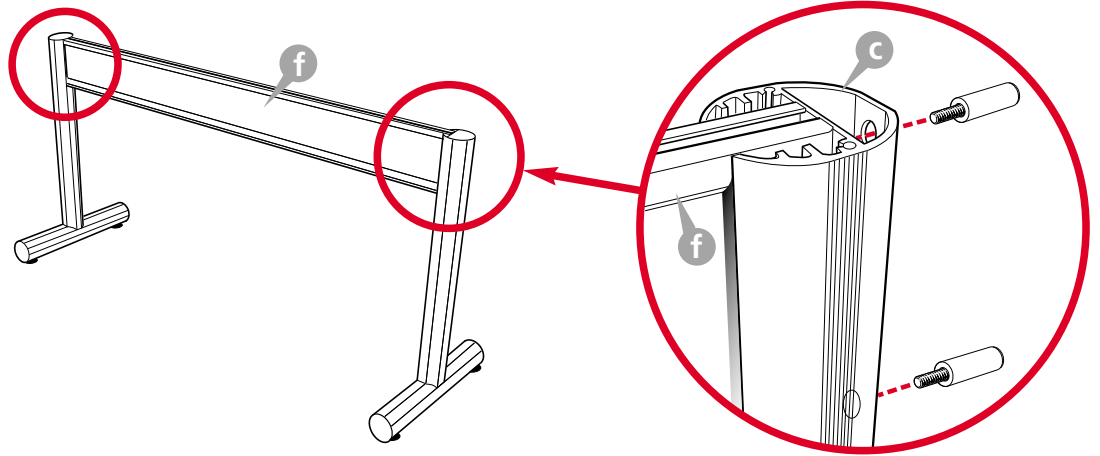
Keencut Limited, Baird Road, Willowbrook Industrial Estate, Corby, Northants, ENGLAND NN17 5ZA.
Telephone: 01536 263158 Fax: 01536 204227 E-mail: info@keencut.co.uk
www.keencut.co.uk

CUTTER STAND
with Optional ROLL FEED & WASTE CATCHER

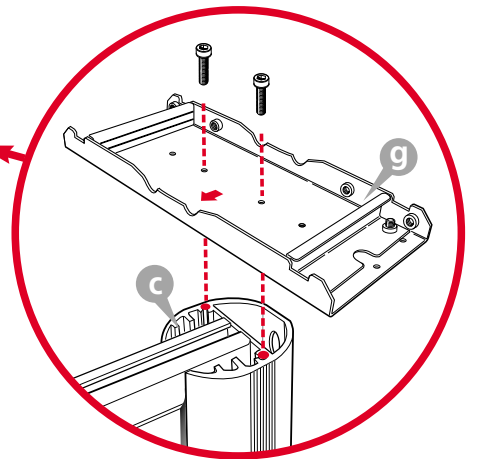
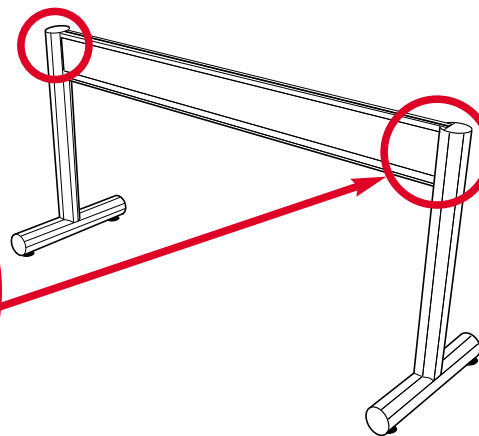
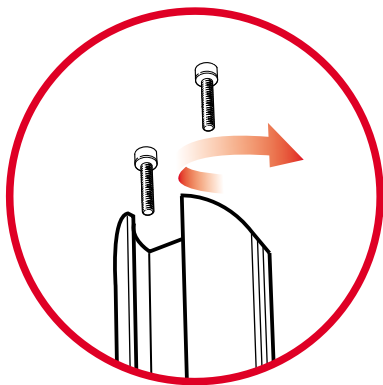


4 2x

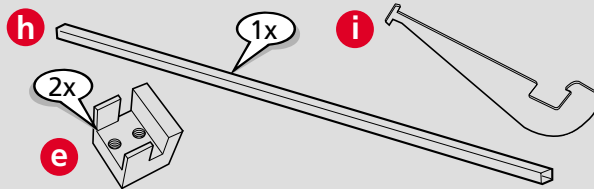
4mm



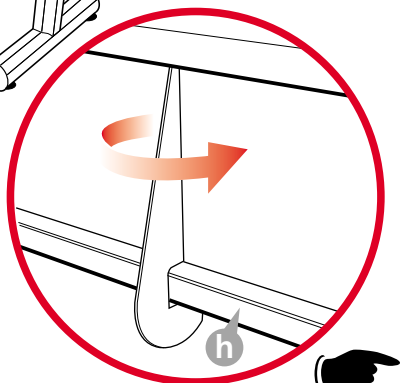
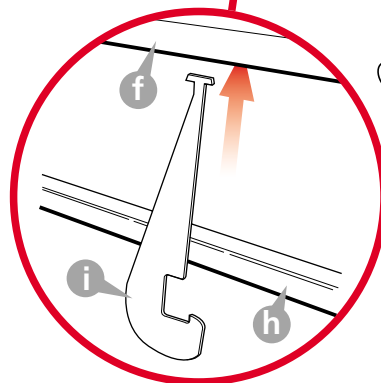
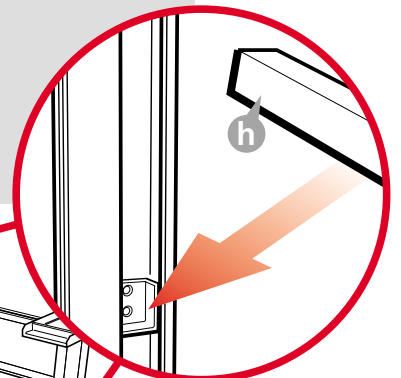
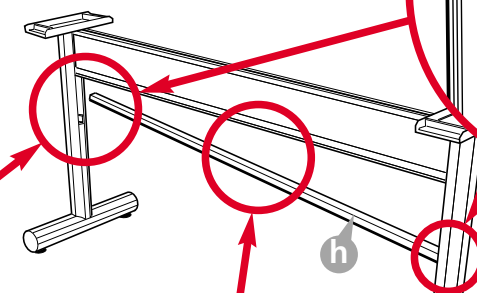
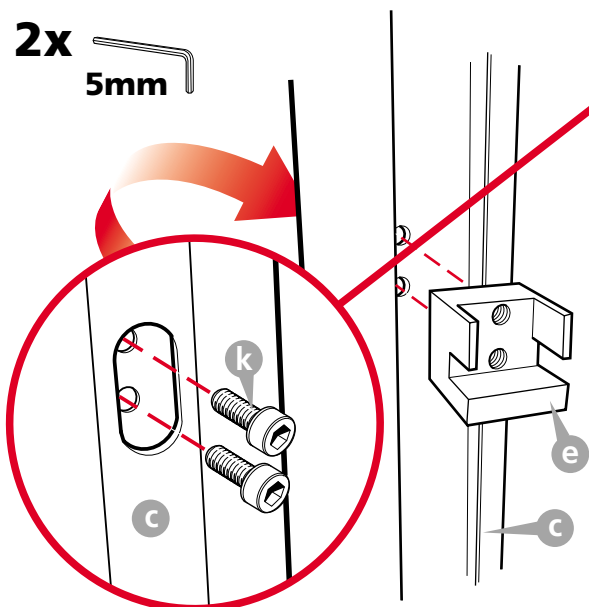
5 2x 4mm



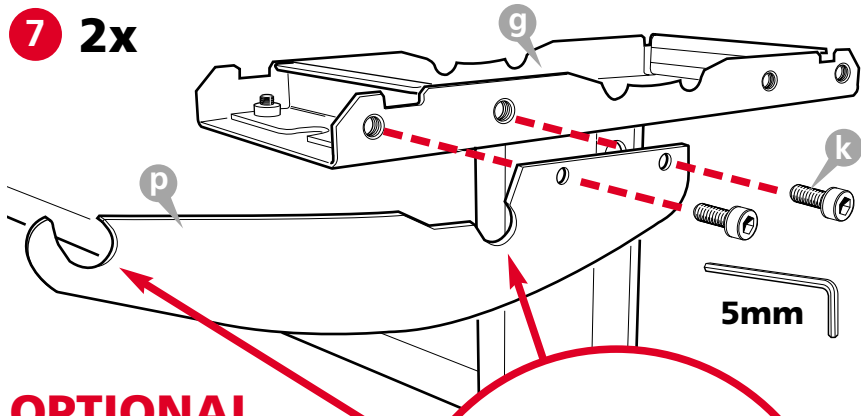
**6 OPTIONAL
Roll Feed**



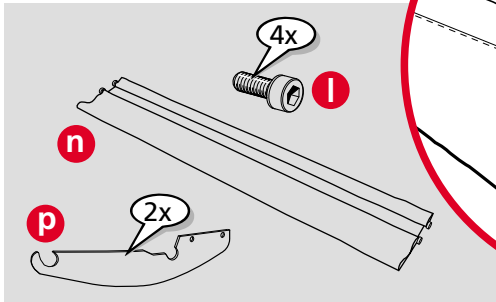
2x 5mm



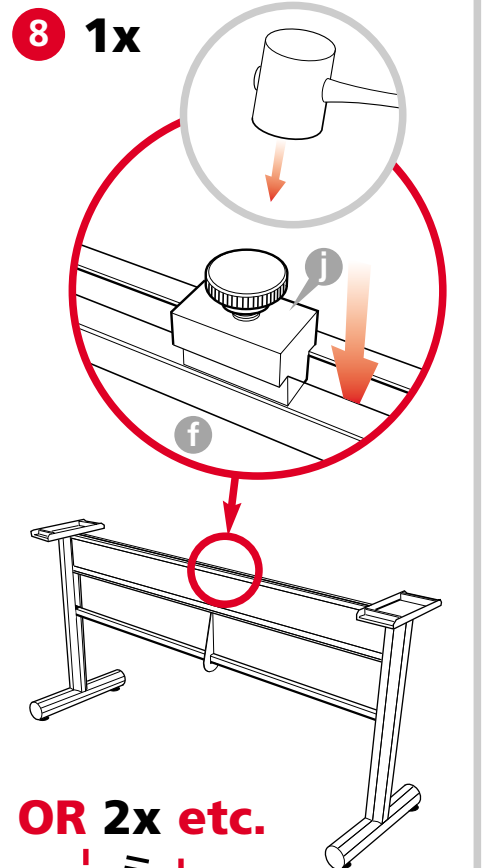
7 2x



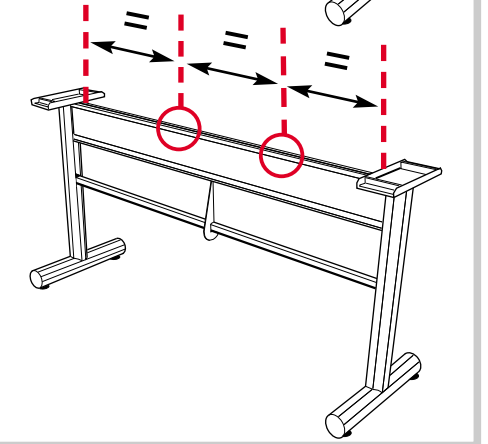
**OPTIONAL
Waste Catcher**



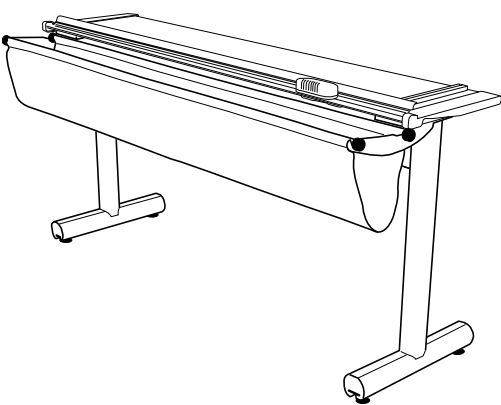
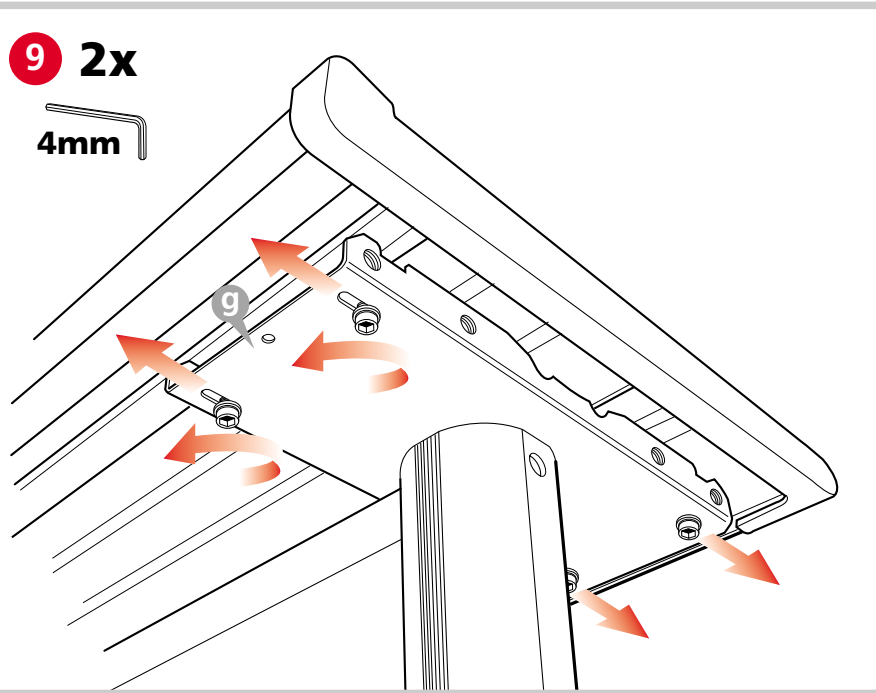
8 1x



OR 2x etc.



9 2x



10 1x or 2x etc.

