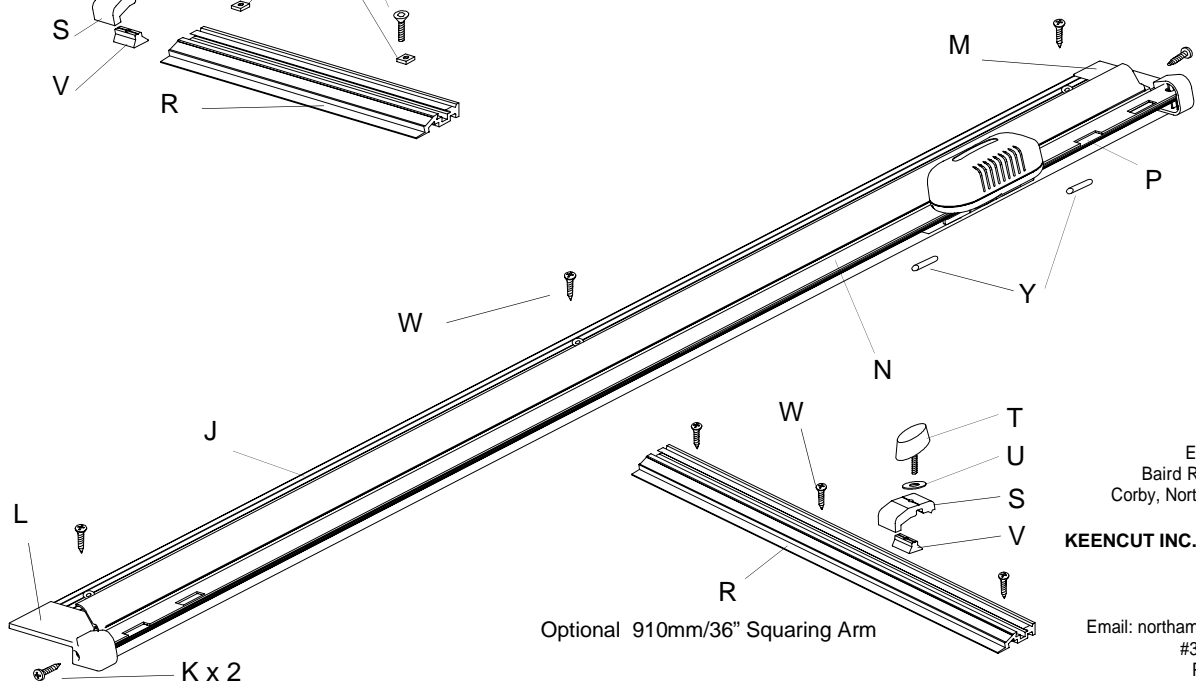
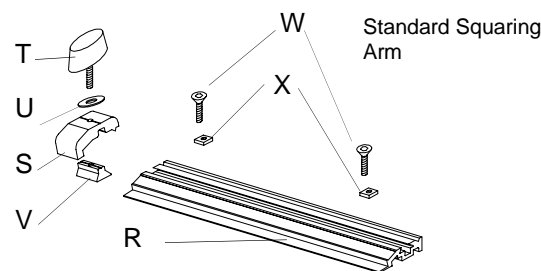
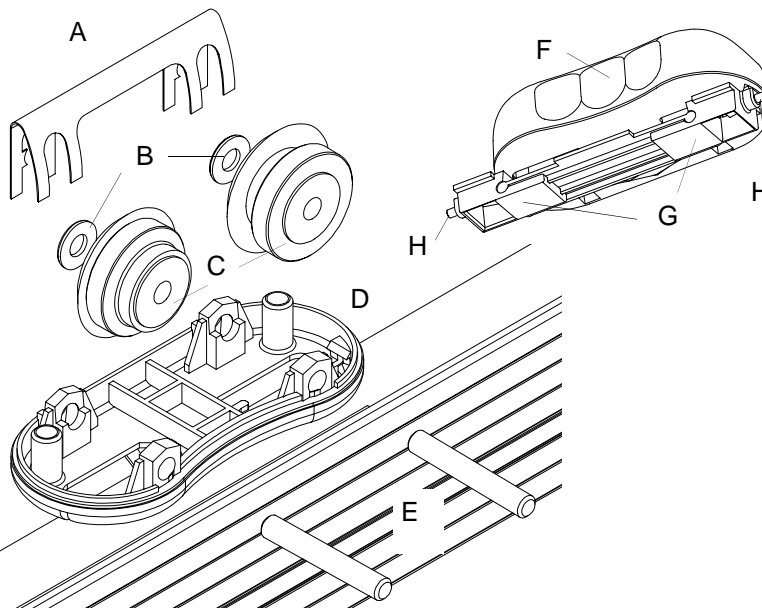
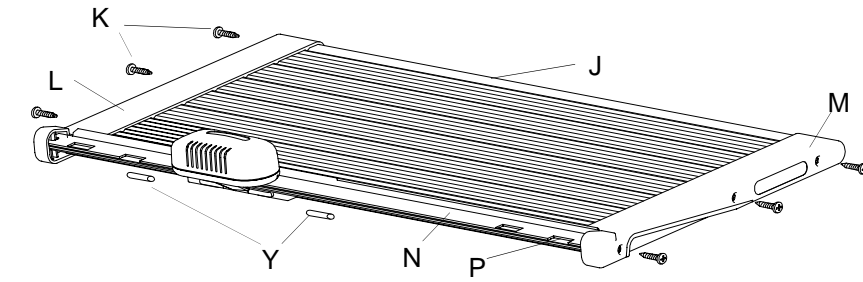


Advanced Rotary Cutter Spare Parts



Key	Advanced Rotary Cutter		Table Edge Advanced Rotary Cutter	
	Qty.	Code	Qty.	Code
A	1	CA25/195	1	CA25/195
B	2	CA30/083	2	CA30/083
C	1 pr.	KX96/000	1 pr.	KX96/000
D	1	CA10/273	1	CA10/273
E	2	KT01/103	2	KT01/103
F	1	CA75/119	1	CA75/119
G	2	CA75/120	2	CA75/120
H	2	CA30/273	2	CA30/273
J	1	KT0*/100	1	KT5*/113
K	6	CA30/249	2	CA30/249
L	1	CA75/116	1	KT51/111
M	1	CA75/117	1	KT51/112
N	1	KT0*/101A	1	KT0*/101A
P	1	KT0*/102	1	KT0*/102
R	1	KT05/107	1	KX94/100
S	1	KT05/108	1	KT05/108
T	1	CA30/007	1	CA30/007
U	1	CA30/033	1	CA30/033
V	1	KL01/166	1	KL01/166
W	2	CA30/117	*	CA30/242
X	2	CA30/275	-	-
Y	2	KT01/106	2	KT01/106
Rubber Feet	*	CA75/122	-	-
Scales Sticker	1	CA25/198	-	-
Sq. Arm Scale Stickers	1	CA25/211	1	CA25/211

* State size of machine when ordering parts

KEENCUT LIMITED
 Tel: +44 (0) 1536 263158
 Fax: +44 (0) 1536 204227
 Email: sales@keencut.co.uk
 Baird Rd, Willowbrook Ind. Estate,
 Corby, Northants England NN17 5ZA

KEENCUT INC. (North American Sales)
 Toll Free: 1 800 240 5336
 Tel: 1 (519) 652 0970
 Fax: 1 (519) 652 0396
 Email: northamericansales@keencut.com
 #366 - 3560 Pine Grove Ave.
 Port Huron, MI 48060, USA