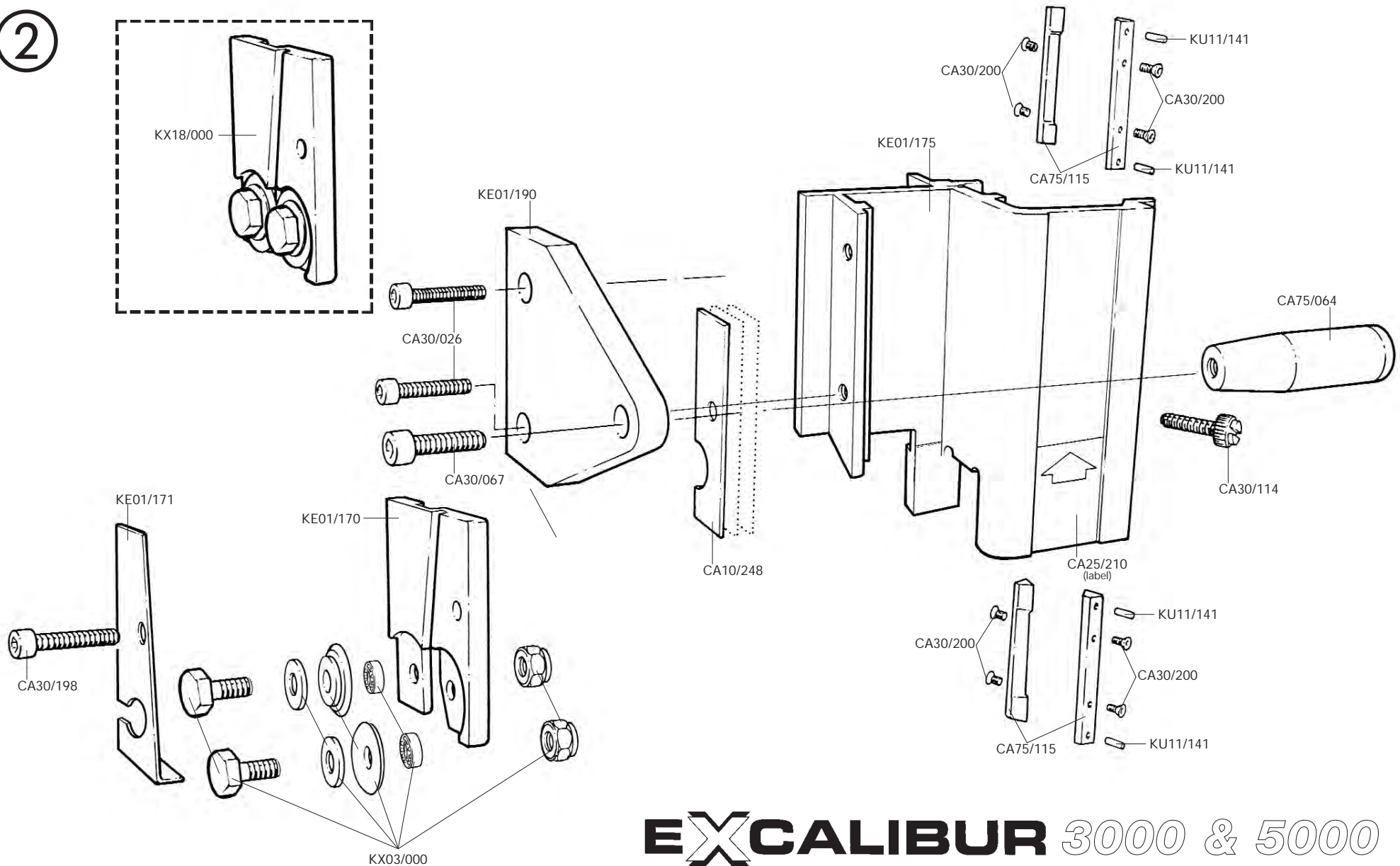


**KEENCUT** TWIN WHEEL CUTTER HEAD

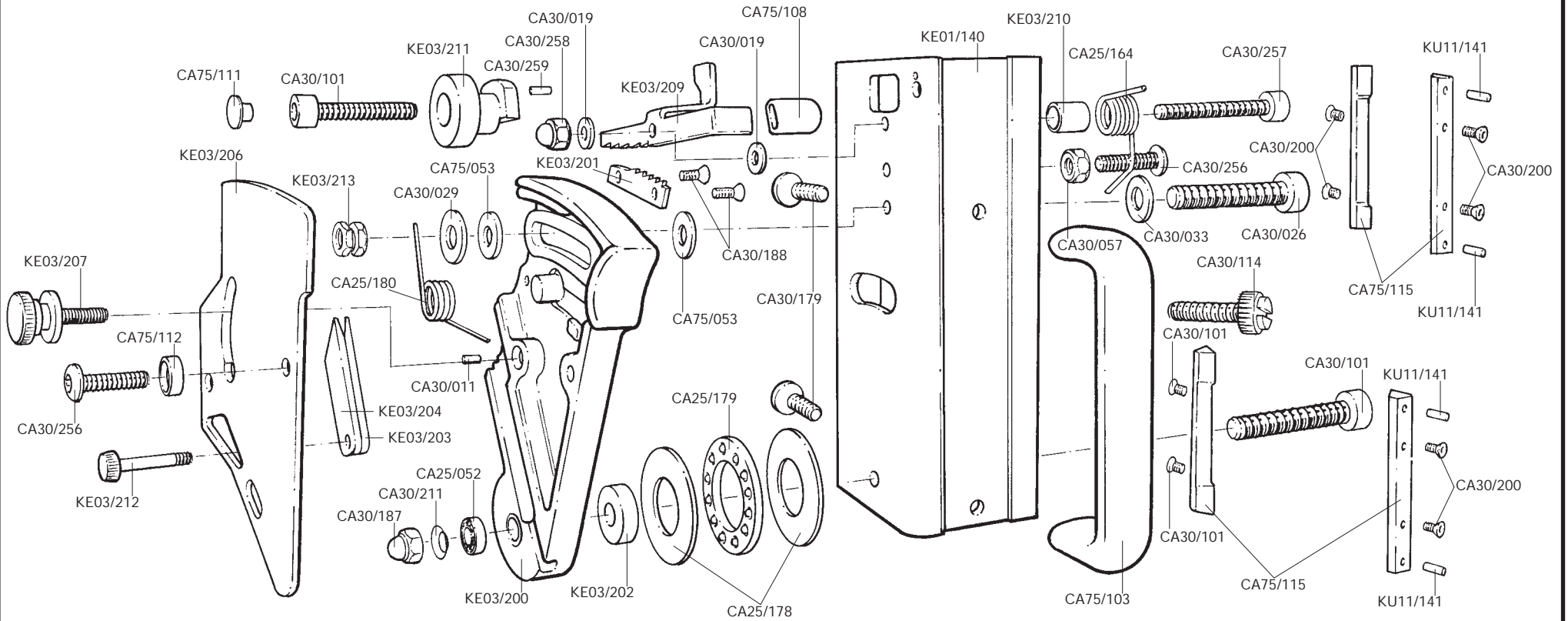
2



**EXCALIBUR** 3000 & 5000

**KEENCUT** SINGLE TOOL CUTTER HEAD

3

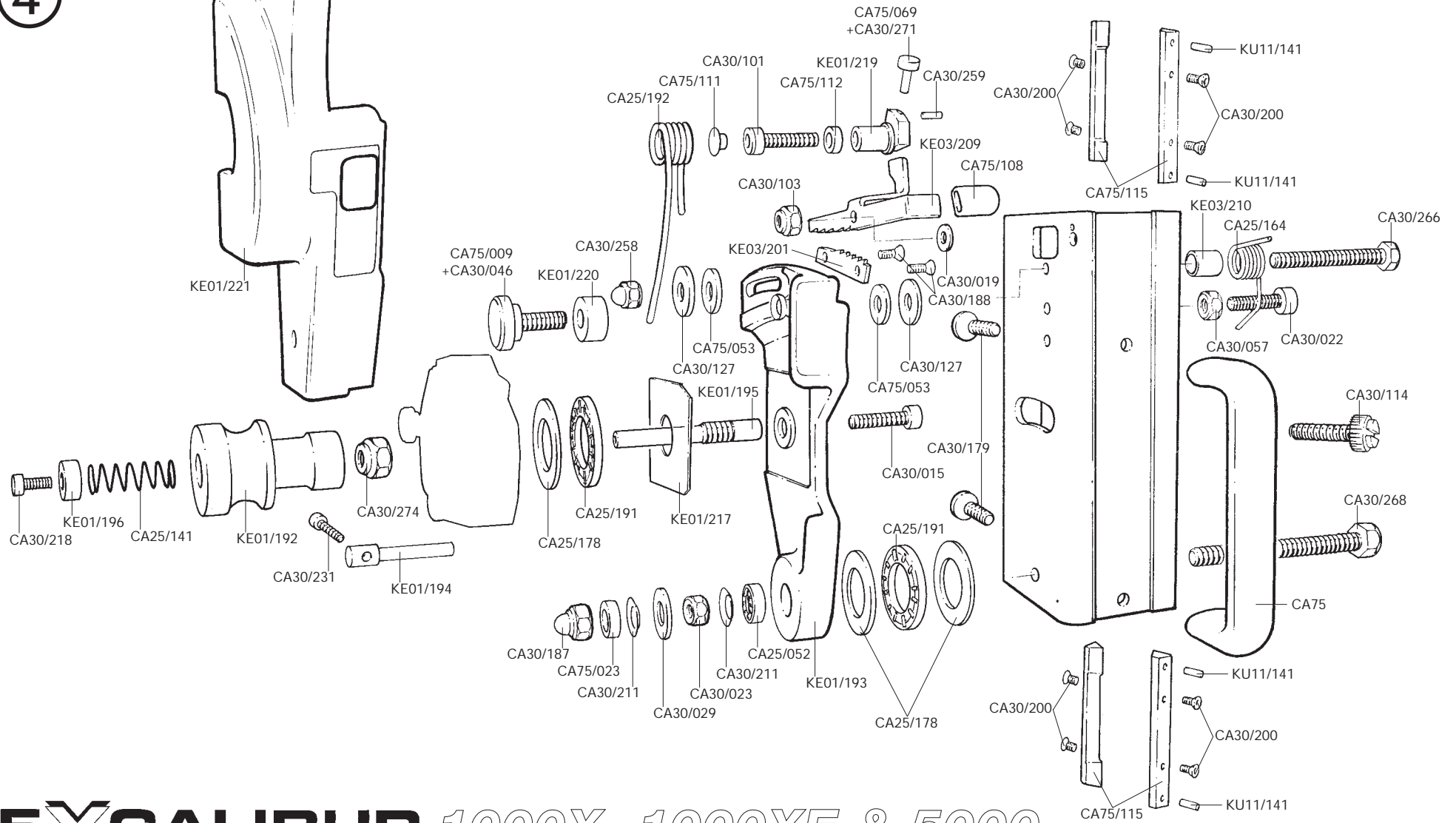


**EXCALIBUR** 1000 & 3000  
(Pre 2008)

**KEENCUT**

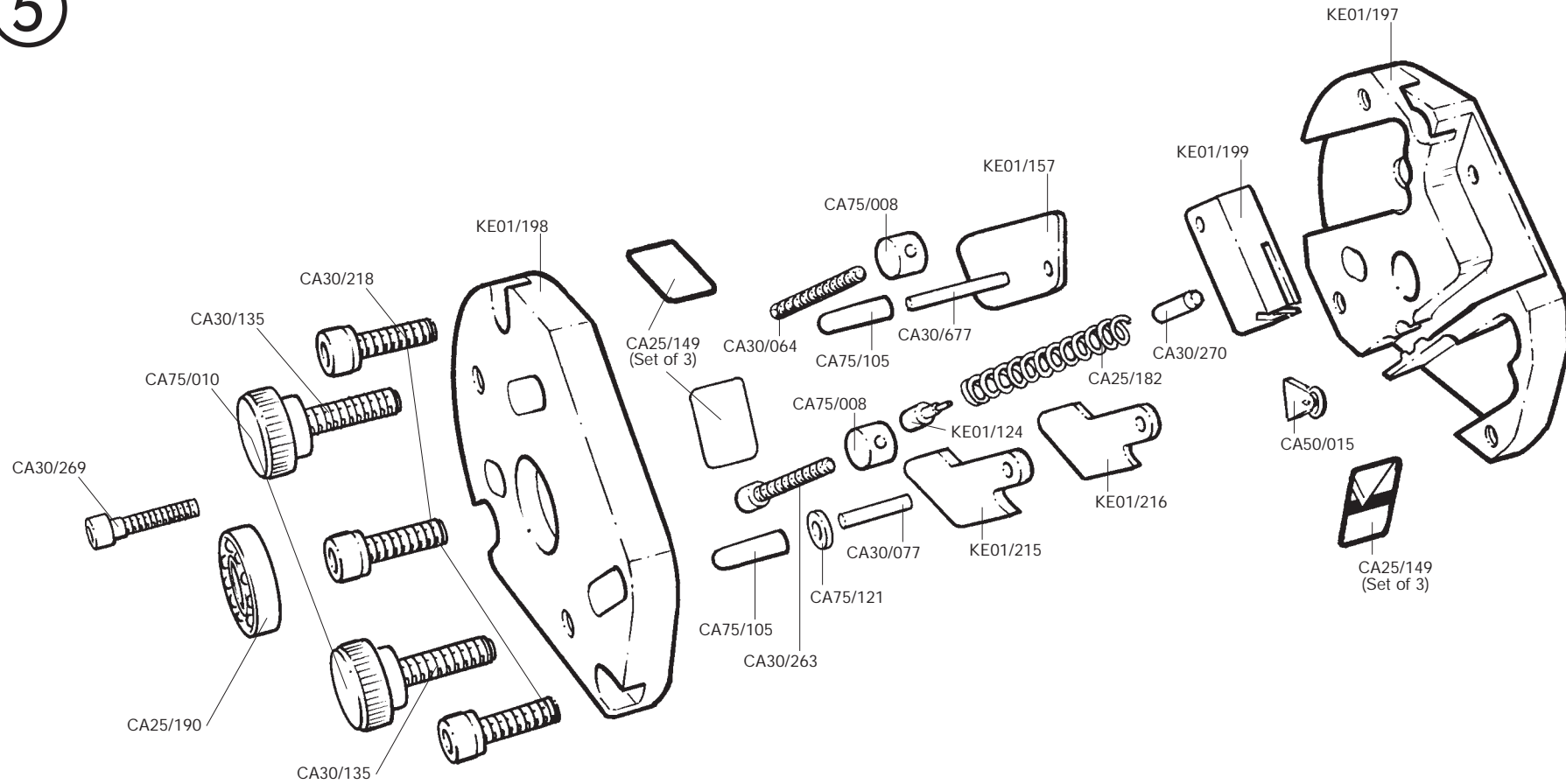
**MULTI - CUTTER HEAD**

4



**EXCALIBUR** 1000X, 1000XE & 5000

5

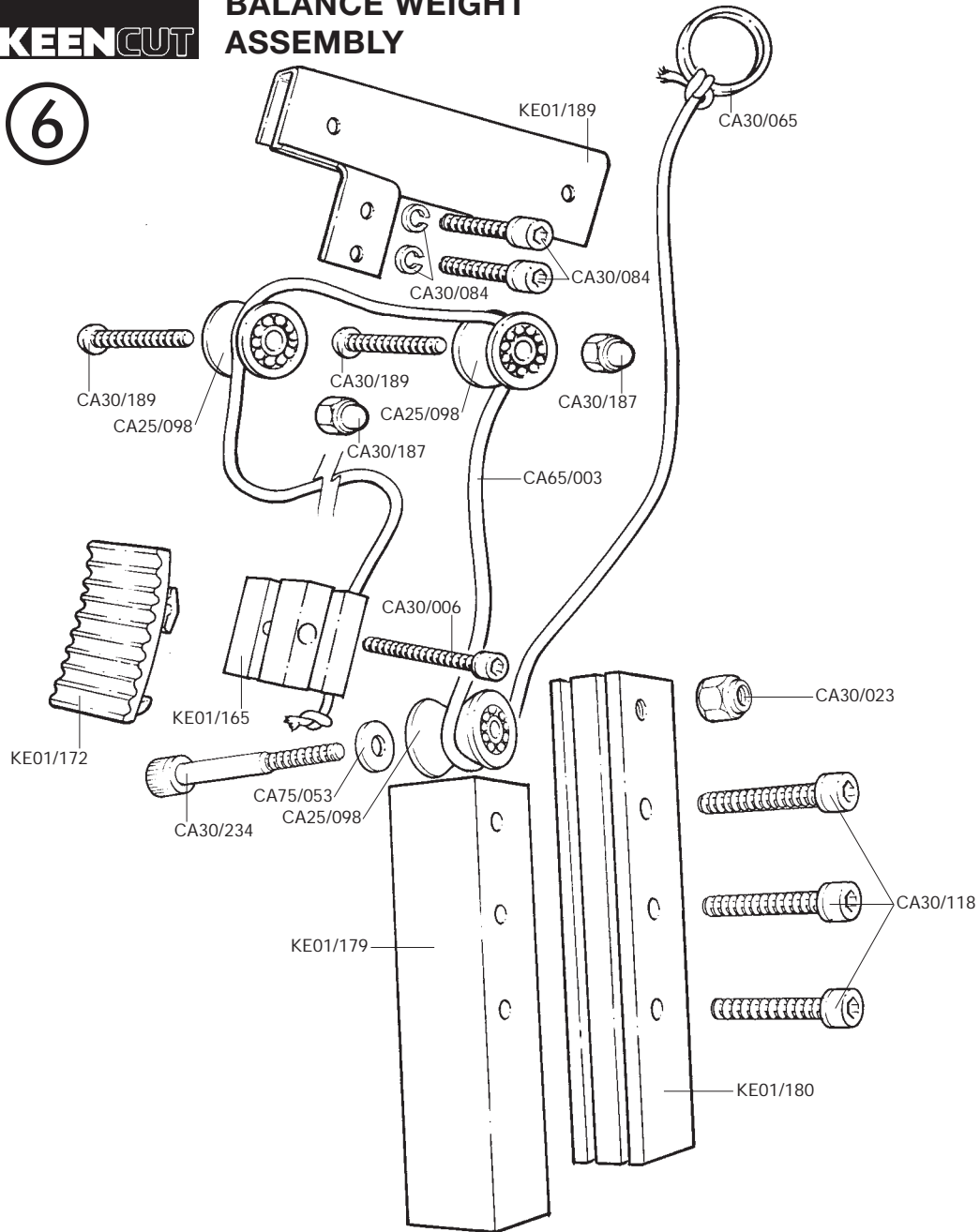


**EXCALIBUR** 1000X, 1000XE & 5000

**KEENCUT**

### BALANCE WEIGHT ASSEMBLY

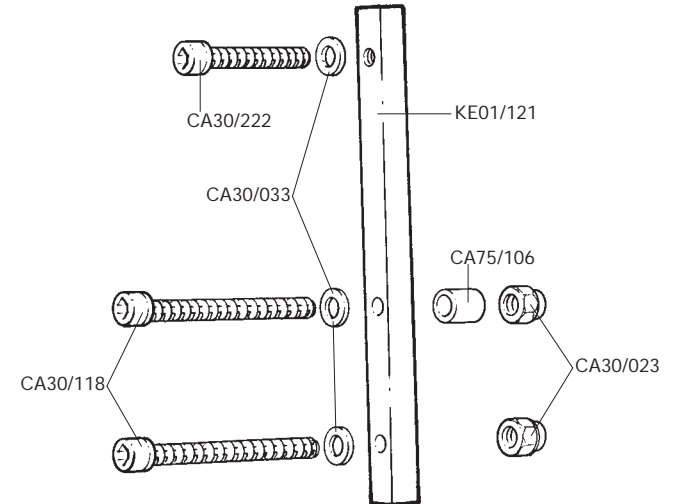
6



**KEENCUT**

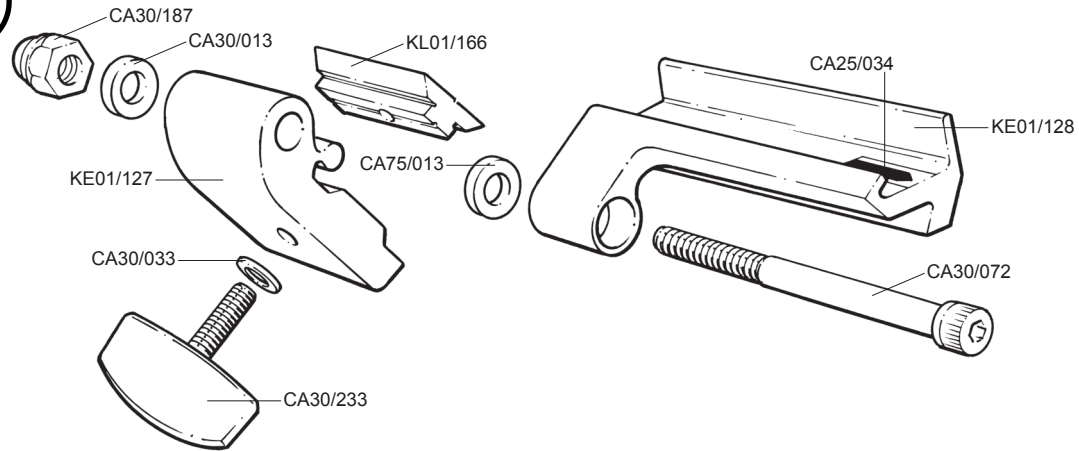
### BOTTOM LEG CLAMP ASSEMBLY

7



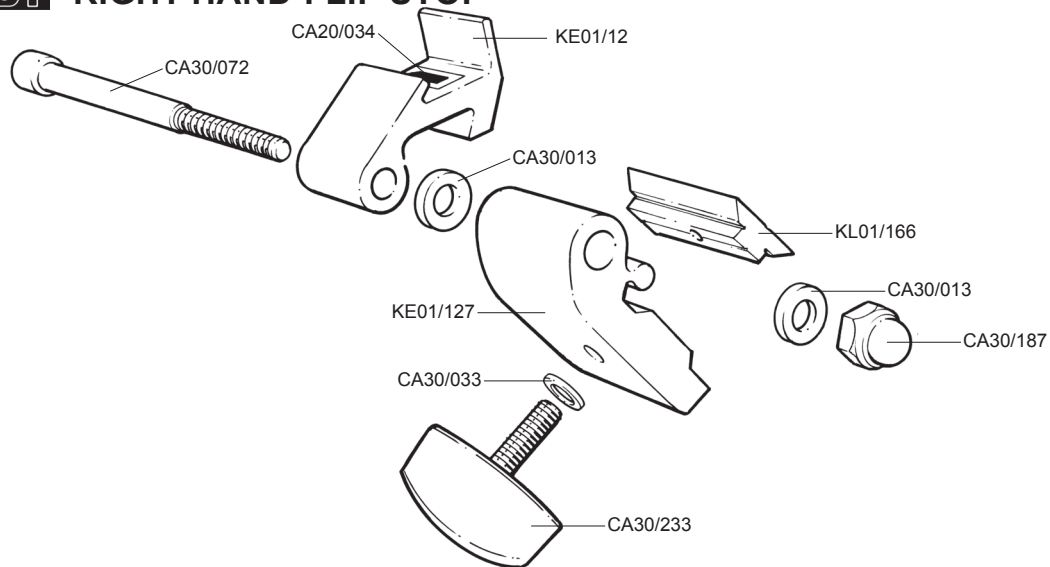
## KEENCUT LEFT HAND FLIP STOP

8



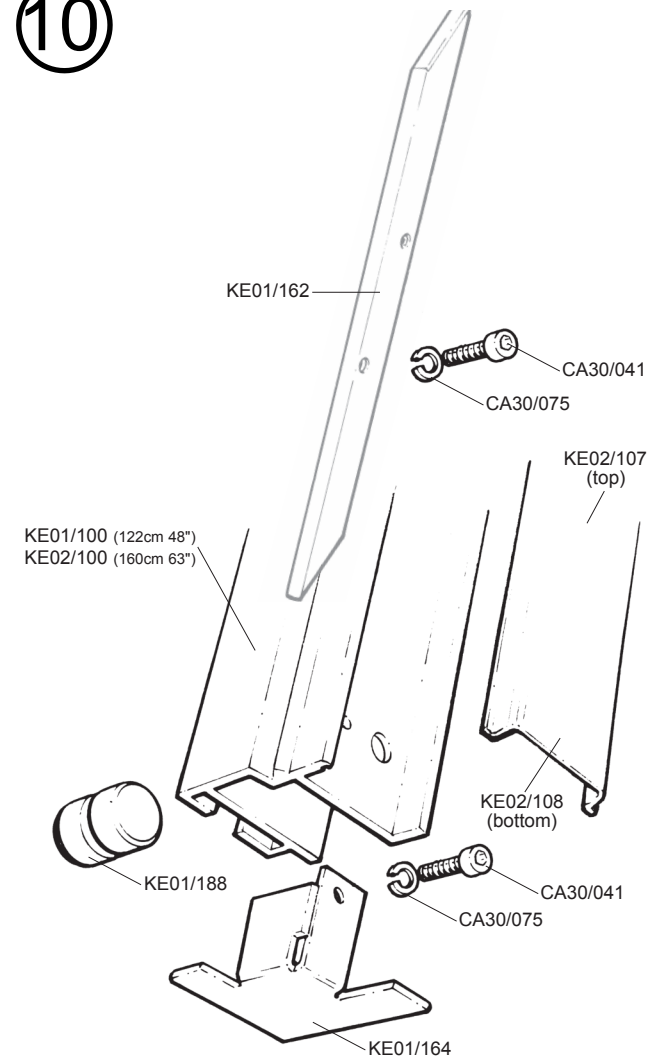
## KEENCUT RIGHT HAND FLIP STOP

9



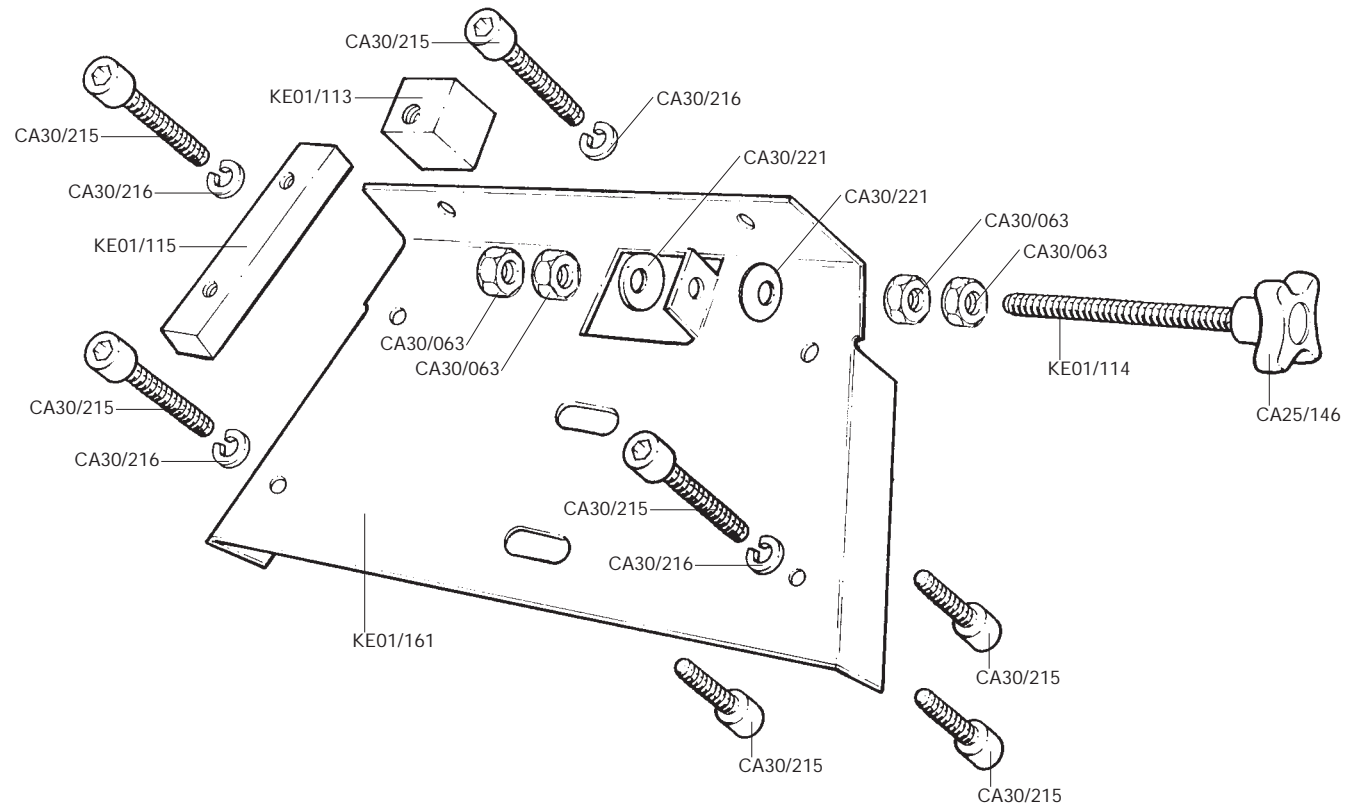
## KEENCUT SLIDEWAY ASSEMBLY

10



**KEENCUT TOP PLATE**

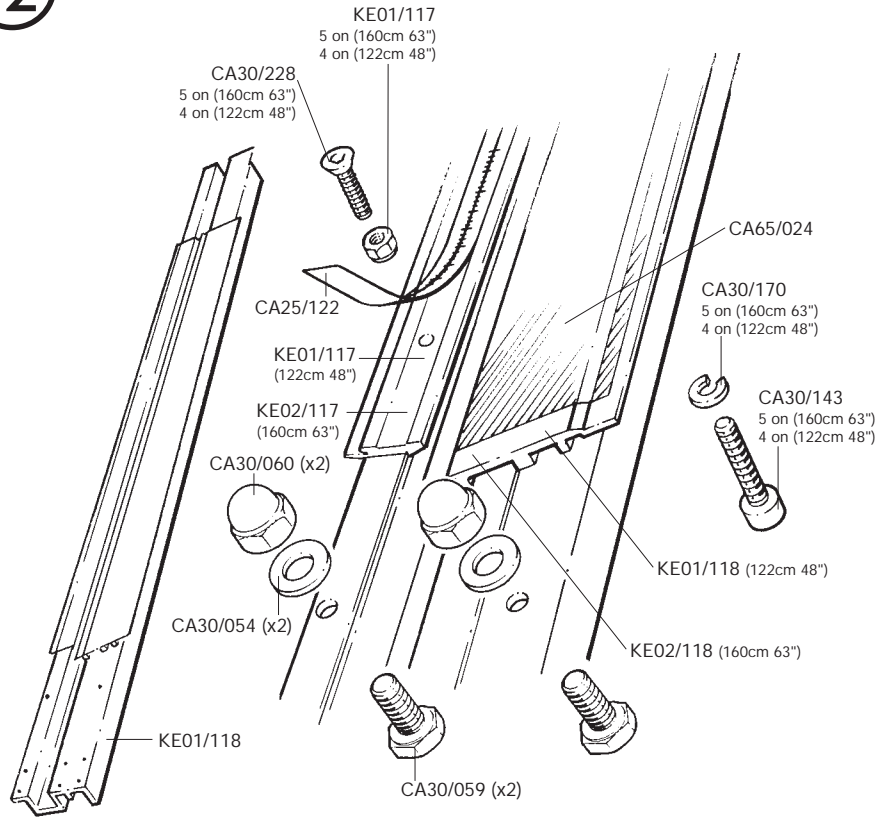
11





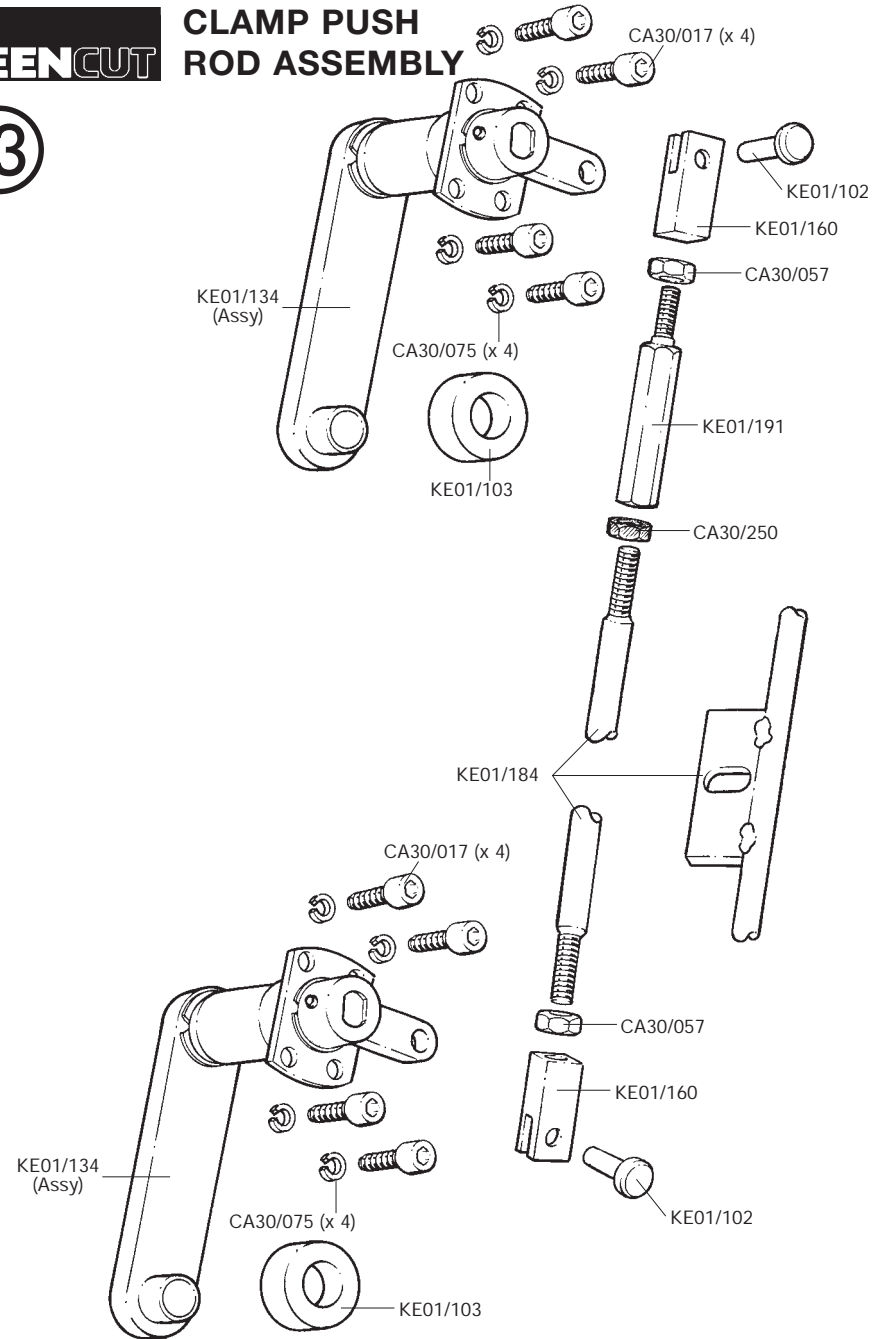
# KEENCUT SPINE ASSEMBLY

12



# KEENCUT CLAMP PUSH ROD ASSEMBLY

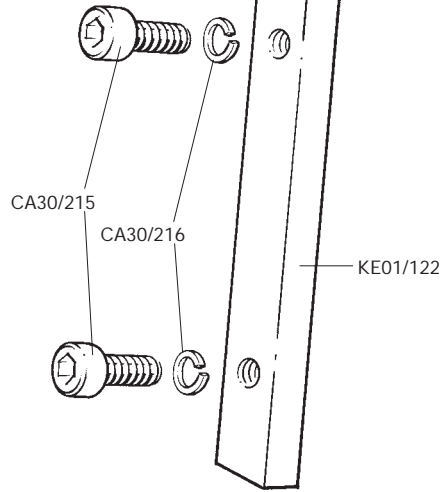
13



**KEENCUT**

### TOP LEG CLAMP BLOCK

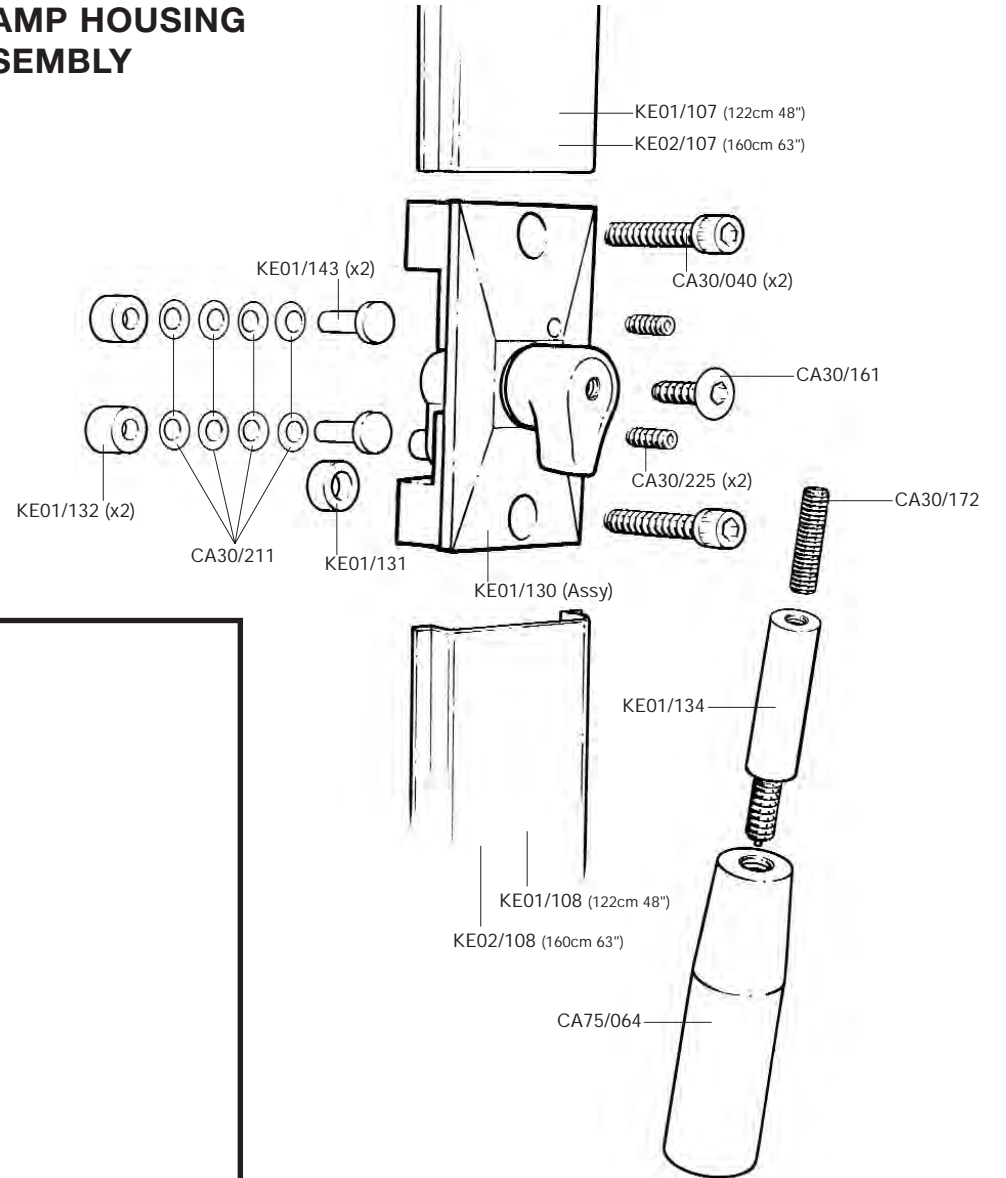
14



**KEENCUT**

### CLAMP HOUSING ASSEMBLY

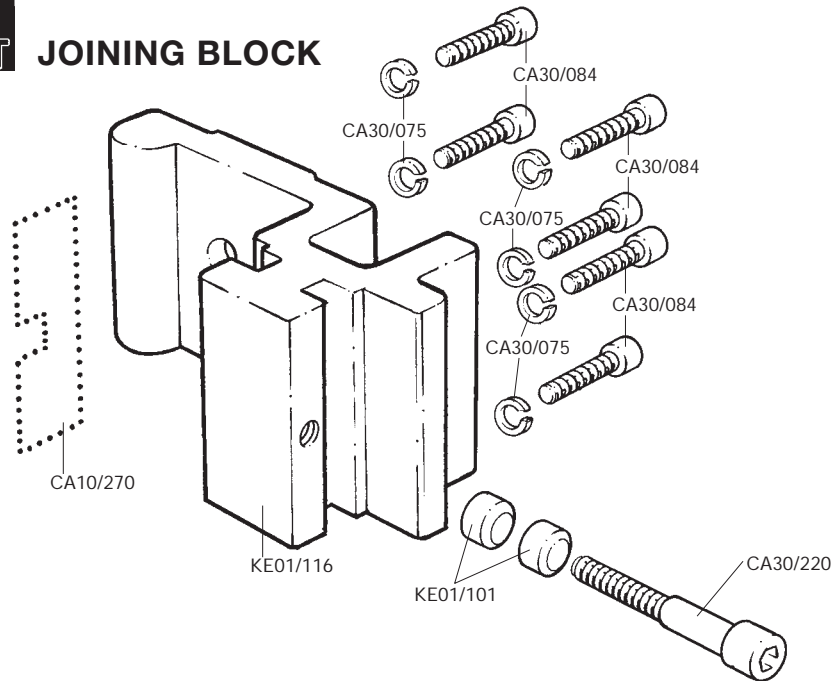
15



**KEENCUT**

### JOINING BLOCK

16



**KEENCUT** CLAMP BAR

17

